

Color LCD Projector

Operating Instructions _____ **E**

Mode d'emploi _____ **F**

CPJ-A300

© 1998 by Sony Corporation

Owner's record

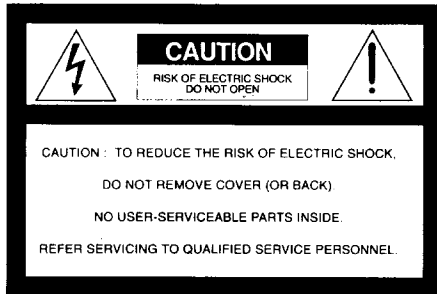
The model and serial numbers are located on the bottom. Record the serial number in the space provided below. Refer to these numbers whenever you call upon your Sony dealer regarding this product.

Model No. CPJ-A300

Serial No. _____

WARNING

To prevent fire or shock hazard, do not expose the unit to rain or moisture.



This symbol is intended to alert the user to the presence of uninsulated "dangerous voltage" within the product's enclosure that may be of sufficient magnitude to constitute a risk of electric shock to persons.



This symbol is intended to alert the user to the presence of important operating and maintenance (servicing) instructions in the literature accompanying the appliance.

For the Customers in the U.S.A.

CAUTION

You are cautioned that any changes or modifications not expressly approved in this manual could void your authority to operate this equipment.

Note:

This equipment has been tested and found to comply with the limits for a Class B digital device, pursuant to Part 15 of the FCC Rules. These limits are designed to provide reasonable protection against harmful interference in a residential installation. This equipment generates, uses, and can radiate radio frequency energy and, if not installed and used in accordance with the instructions, may cause harmful interference to radio communications. However, there is no guarantee that interference will not occur in a particular installation. If this equipment does cause harmful interference to radio or television reception, which can be determined by turning the equipment off and on, the user is encouraged to try to correct the interference by one or more of the following measures:

- Reorient or relocate the receiving antenna.
- Increase the separation between the equipment and receiver.
- Connect the equipment into an outlet on a circuit different from that to which the receiver is connected.
- Consult the dealer or an experienced radio/TV technician for help.

Table of contents

4	Welcome
5	Precautions
6	Selecting the projecting location
7	Preparations
7	Using the AV Cordless IR system – LASER LINK
8	Connecting directly to video equipment
10	Connecting to external speaker(s)
10	Connecting the AC power cord
11	Projecting
11	Turning on the projector
13	Using the AV Cordless IR system – LASER LINK
15	Adjusting the focus
15	Adjusting the volume
16	Using the headphones
16	Turning off the projector
17	Adjusting the picture
20	Maintenance
20	Changing the filter
21	Changing the bulb
22	Specifications
23	Identifying the parts
25	Troubleshooting

Welcome

Congratulations on your purchase of the Sony CPJ-A300 Color LCD projector. Here are just some of the features your Sony projector offers.

High resolution picture

You can enjoy AV entertainment with a high resolution picture of 307,200 pixels.


LASER LINK – Picture and sound transmission by infrared rays

You can project a picture without connecting the projector to video equipment.

LASER LINK is a system which transmits and receives a picture and sound by using infrared rays.

Compact design

Easy to install on a bookshelf.

LASER LINK is a trademark of Sony Corporation. Sony recommends that you use this projector with video equipment having the  mark.

Precautions

Installation

- Place the projector so that the lens is perpendicular to the projected plane. Otherwise the picture will become distorted and may be out of focus.
- You will be able to see the picture more clearly in a darker place.
- The picture brightness depends on the quality of the surface of the projected plane. Select a flat and white surface.
- The picture gets darker as the distance to the projected plane increases.
- Allow adequate air circulation to prevent internal heat buildup. Do not place the projector on surfaces near materials (curtains, draperies) that may block the ventilation holes. Leave space of more than 12 inches (30 cm) between the wall and the projector.
- Do not install the appliance in a confined space, such as a book case or build-in cabinet.
- Do not place the projector near heat sources such as radiators or air ducts, or in a place subject to direct sunlight, excessive dust or humidity, mechanical vibration or shock.
- To avoid moisture condensation, do not place the projector in a location where the temperature may rise rapidly.

Operation

- Do not point the lens toward the sun.
- Do not look into the lens during projection.
- Should any liquid or solid object fall into the cabinet, unplug the projector and have it checked by qualified personnel before operating it further.
- Unplug the projector from the wall outlet when you are not using the projector.
- To disconnect the AC power cord, pull it out by the plug. Never pull the AC power cord itself.
- Do not use the projector near an AM radio or tuner.

Cleaning the projector

- Be sure to turn off the power and disconnect the AC power cord from a wall outlet before cleaning.
- Clean the projector with a soft, dry cloth. If the projector is very dirty, wipe it off with a soft cloth lightly moistened with a mild detergent solution, and then wipe with a soft dry cloth. Do not apply any type of solvent as it may damage the finish.
- Wipe the mirror for the IR receiver carefully.

Cleaning the lens

- Clean the surface of the lens with a blower brush. Do not rub with a cloth. Lens cleaning tissue papers are recommended.

For detailed safety precautions, see the leaflet "IMPORTANT SAFEGUARDS" included with this manual in the vinyl bag.

Selecting the projecting location

The size of the projected plane depends on the distance from the projector to the projected plane.

Locate the projector with the lens pointed toward the projected plane referring to the figure and table below.

We recommend using the projector at a distance of 3 to 11 feet (1 to 3.5 m) from the projected plane.

Diameter of the projected plane (in inches) and the distance from the projector for each size

A size between 20" and 80" of the projected plane is recommended.

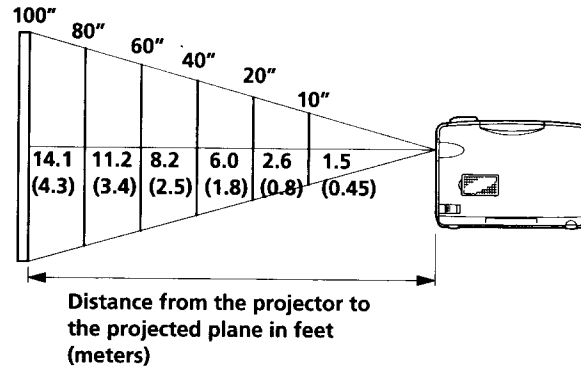


Table of the projected plane size by the distance from the projector to the projected plane

Distance to the projected plane	Size of the projected plane
3 feet (1 m)	Approx. 19 x 14 ¹ / ₄ inches (480 x 360 mm)
6 feet (2 m)	Approx. 37 ⁷ / ₈ x 28 ³ / ₈ inches (960 x 720 mm)
8 feet (2.5 m)	Approx. 47 ¹ / ₄ x 35 ¹ / ₂ inches (1200 x 900 mm)
9 feet (3 m)	Approx. 57 ¹ / ₂ x 43 ³ / ₈ inches (1460 x 1100 mm)
11 feet (3.5 m)	Approx. 66 ¹ / ₄ x 49 ⁵ / ₈ inches (1670 x 1260 mm)

Preparations

There are two ways to receive picture and sound to be projected from video equipment: by AV Cordless IR (infrared rays) system or by directly connecting video equipment.

Tip

This projector accepts the video signals of both NTSC and PAL color systems.

Notes

- Turn off the video equipment and the projector before connecting.
- Refer to the video equipment's manual as well.
- To connect the IR transmitter to a wall outlet use only supplied AC power adapter, because the polarity of the supplied adapter is opposite of conventional adapters. Do not use the supplied AC power adapter for other electric appliances with a DC IN 9 V jack.



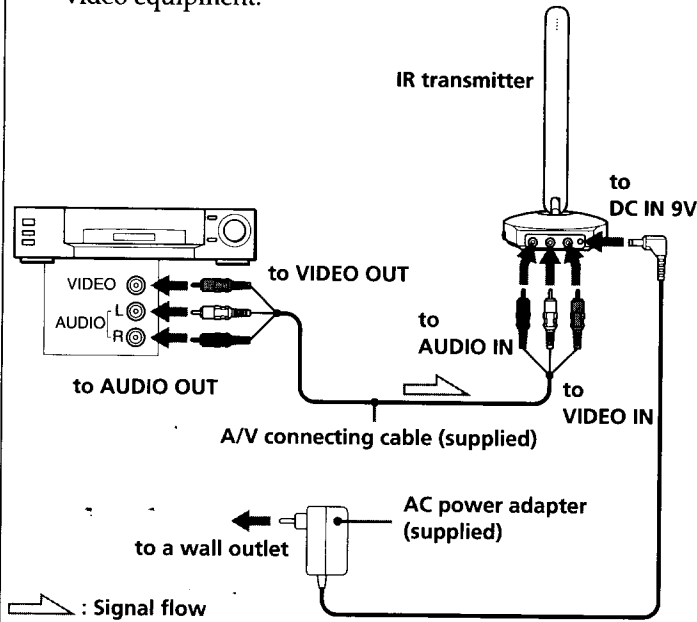
Polarity of the plug

Using the AV Cordless IR system - LASER LINK

Connect the supplied IR transmitter to video equipment such as a VCR or video camera recorder using the supplied A/V connecting cable.

Connect the supplied AC power adapter to DC IN 9V of the IR transmitter and to a wall outlet.

You do not need to connect the projector itself to video equipment.



Tip

This projector accepts the video signals of both NTSC and PAL color systems.

Notes

- Turn off the video equipment and the projector before connecting.
- Refer to the video equipment's manual as well.

If you switch from the LASER LINK system

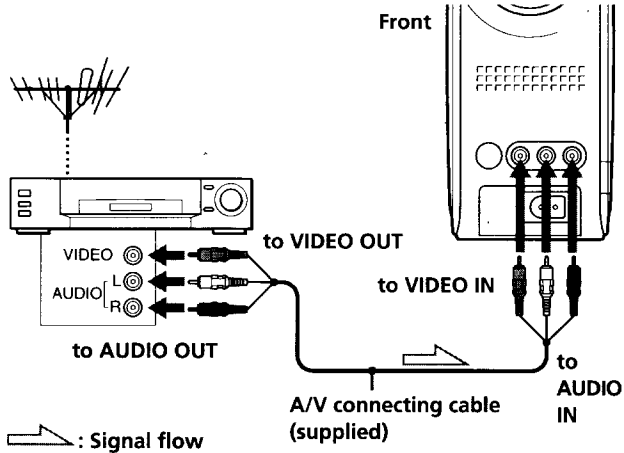
"VIDEO" appears when you project the picture. The display will go off after 5 seconds.

VIDEO

Connecting directly to video equipment

Connect video equipment such as a VCR or video camera recorder using the supplied A/V connecting cable.

Make sure that the LASER LINK indicator of the control panel is off.



Preparations (continued)

Connecting to external speaker(s)

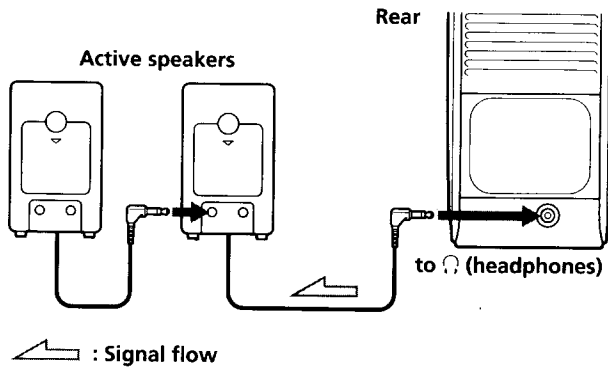
When you want to connect external speaker(s) (not supplied) to the projector, connect to the Ω jack of the projector.

Notes

- Turn off the speaker and the projector before connecting.
- Refer to the speaker's manual as well.

Note

When the external speaker is connected, the projector's built-in speaker is turned off.

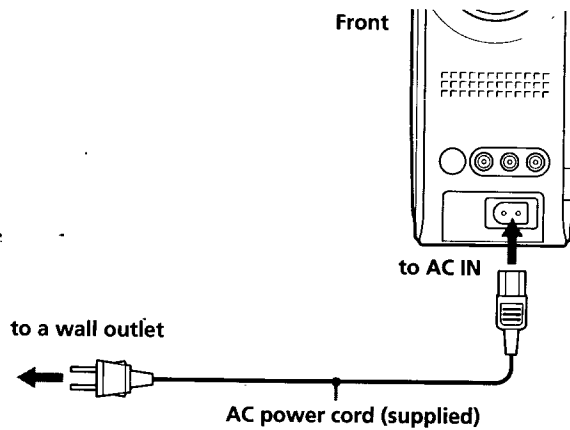


Connecting the AC power cord

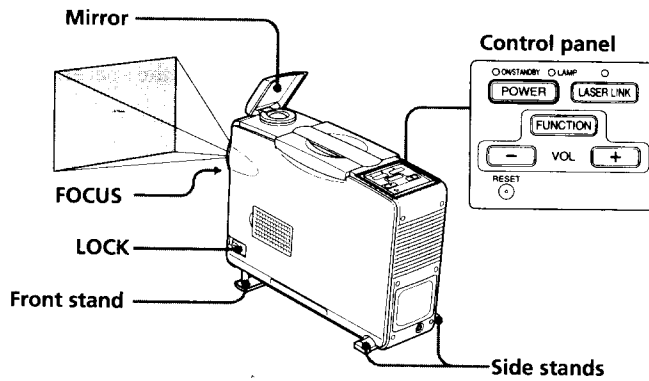
Connect the AC power cord (supplied) to the projector and to a wall outlet.

CAUTION

Never use a DC/AC converter.



Projecting



If the bulb does not light up

If you press POWER again just after turning it off, the bulb will not light up. This is because of the characteristics of the bulb and is not a malfunction. In this case, wait for a while and press POWER again. The bulb will light up.

Notes

- Wait until the projector is warmed up. It will take about one minute until the projected plane appears.
- Do not press POWER while the LAMP indicator is flashing. Doing so will cause malfunction of the projector.

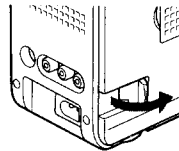
If the ON/STANDBY indicator keeps flashing

Turn off the power and disconnect the AC power cord. Wait for more than three seconds. Then reconnect the AC power cord and turn on the power again.

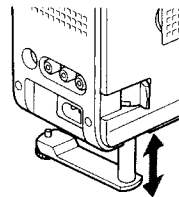
Turning on the projector

- 1** Press POWER of the control panel.
The ON/STANDBY indicator turns green. The LAMP indicator starts flashing.
The bulb lights up and the projected plane appears.
- 2** If necessary, adjust the position of the projected plane using the stand.

- ①** Unlock the stand.



- ②** Adjust the position.



continued

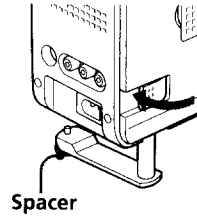
Projecting (continued)

Note on the LCD screen

The LCD screen is manufactured using high-precision technology. However, there may be some tiny black points and/or bright points (red, blue or green in color) that constantly appear on the LCD screen. These points are normal in the manufacturing process and not a malfunction of the projector. Over 99.99 % are operational for effective use.

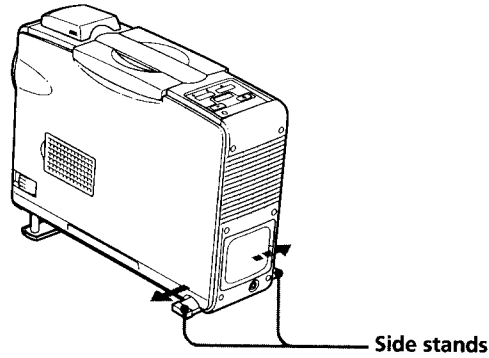
- ③ Lock the stand securely so that the stand does not collapse.

You can adjust the horizontal balance by turning the spacer.



To stabilize the projector

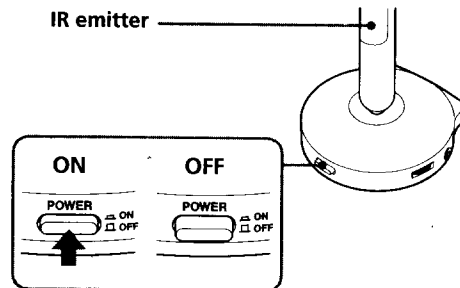
Pull out the side stands at the rear bottom.



Using the AV Cordless IR system - LASER LINK

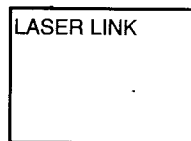
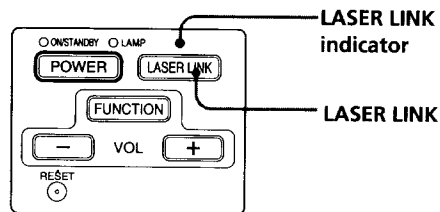
Position the IR transmitter and the IR receiver of the projector so that they operate effectively.

- 1 Press POWER of the IR transmitter (ON).



- 2 Press LASER LINK to turn on the LASER LINK indicator.

The LASER LINK indicator lights up in red and "LASER LINK" appears at the top left corner of the screen.



The display will go off after 5 seconds.

Notes

- If the angle of the IR transmitter or the IR receiver is adjusted past the movable range, it may cause a malfunction.
- Do not cover the light emitter of the IR transmitter or the IR receiver with your hand, etc.
- The infrared rays will not penetrate walls or opaque glass. Therefore, the IR receiver must be used within the "in sight" area of the IR transmitter.
- The brightness of the light emitter of the IR transmitter is not necessarily stable. This is not a malfunction and does not affect the infrared coverage distance.
- If the IR transmitter is positioned too close to the IR receiver, noise may appear. You may eliminate the noise by adjusting the mirror.
- Noise appears if the IR transmitter is out of the range shown in the right diagram, or if the mirror for the IR receiver comes off.
- Place the IR transmitter where it is stable.

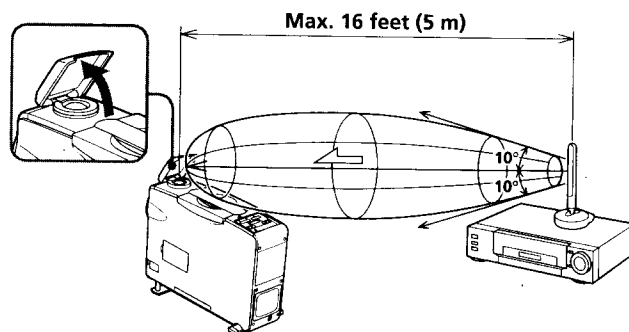
continued

Projecting (continued)

- Avoid exposing any part of the IR receiver to strong rays such as direct sunlight or inverter fluorescent lamp rays or to another infrared ray source such as a remote commander. Doing so may cause noise in the picture and sound.
- Keep the mirror clean. The dirty mirror may not reflect the infrared rays to the IR receiver properly.
- If the noise may appear in the picture or sound when using the LASER LINK system, connect the projector and video equipment using the supplied A/V connecting cable.

- 3** Open the cover, and point the IR transmitter at the mirror for the IR receiver.

The diagram illustrates the approximate area covered by the infrared rays. Position the IR transmitter and the IR receiver within the area.

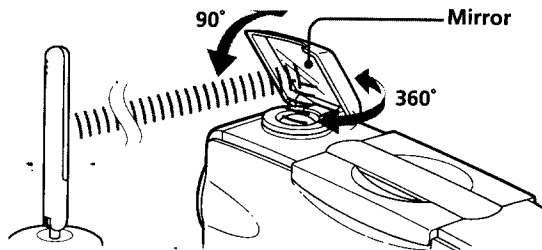


↙: Signal flow

- 4** Start playback on the video equipment.

- 5** Adjust the angle of the mirror for the IR receiver so that the picture and sound are optimum.

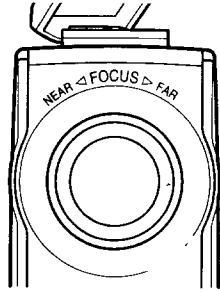
You can open the mirror up to 90 degrees and turn it 360 degrees.



Adjusting the focus

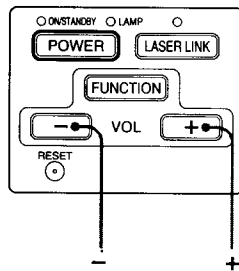
Turn the FOCUS ring.

- To focus on the nearer position, turn to the NEAR side.
- To focus on the farther position, turn to the FAR side.



Adjusting the volume

Adjust the volume by pressing VOL + or -.




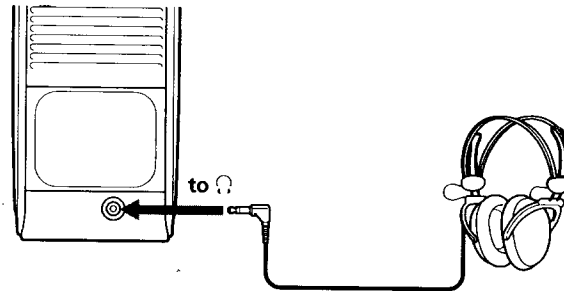
Note

The speaker of the projector is monaural. If stereo sound is input, it is mixed and output from the speaker.

Using the headphones

On the projector

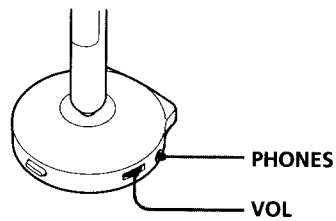
Connect the headphones to the  jack.



On the IR transmitter

Connect the headphones to the PHONES jack.

Adjust the volume with the VOL control.




Turning off the projector

- 1** Press the POWER button of the control panel.
The fan keeps turning and automatically stops after a while.
- 2** Disconnect the AC power cord.

When you used the IR transmitter

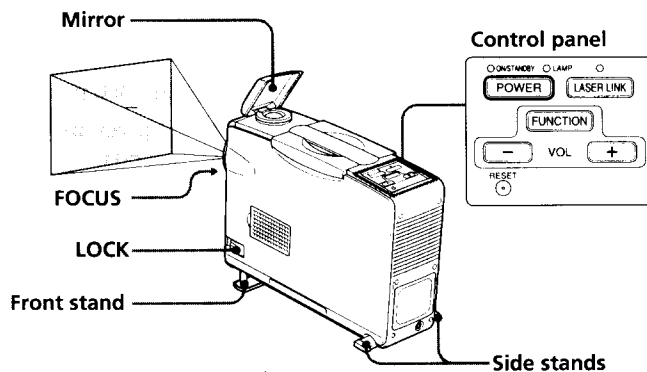
Shut the mirror until it clicks.

Press POWER of the IR transmitter ( OFF).

Note

Do not disconnect the AC power cord while the fan is turning. Doing so may cause malfunction.

Adjusting the picture



Tip

The projector accepts and automatically selects either PAL or NTSC color system.

You can adjust the brightness, contrast, hue (NTSC color system only) and color intensity of the video signal.

If necessary, you can also reset the adjustment to the factory preset level.

The adjustment items change in the following order as you press FUNCTION.

Adjustment items

PICTURE: Adjusts the picture contrast.

HUE: If the picture looks too red or green, adjust the hue (for NTSC color system only).

COLOR: Adjusts the color intensity.

BRIGHTNESS: Adjusts the picture brightness.

Adjusting the picture contrast

1 Press FUNCTION until "PICTURE" appears.



continued

Adjusting the picture (continued)

Note

"HUE" does not appear when the PAL color system video signal is input.

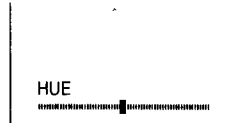
2 Press + or - so that the picture contrast becomes appropriate.

- For more contrast, press +.
- For less contrast, press -.

If you do not press any button, the display will go off after 5 seconds.

Adjusting the hue (NTSC color system only)

1 Press FUNCTION until "HUE" appears.



2 Press + or - so that the hue becomes appropriate.

- If the picture is too reddish, press +.
- If the picture is too greenish, press -.

If you do not press any button, the display will go off after 5 seconds.

Adjusting the color intensity

1 Press FUNCTION until "COLOR" appears.



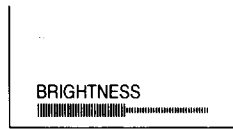
2 Press + or - so that color intensity becomes appropriate.

- For more color intensity, press +.
- For less color intensity, press -.

If you do not press any button, the display will go off after 5 seconds.

Adjusting the brightness

1 Press FUNCTION until "BRIGHTNESS" appears.



2 Press + or - so that brightness becomes appropriate.

- To make brighter, press +.
- To make darker, press -.

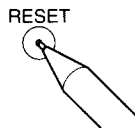
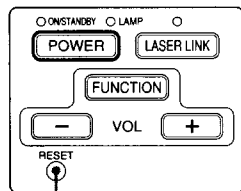
If you do not press any button, the display will go off after 5 seconds.

Resetting the adjustment to the factory preset level

Press RESET with a pointed object such as a pen.
The adjustment is reset to the factory preset level.

Note

The RESET button is purposely hard to press so that adjustments are not canceled by mistake.



RESET

Maintenance

Changing the filter

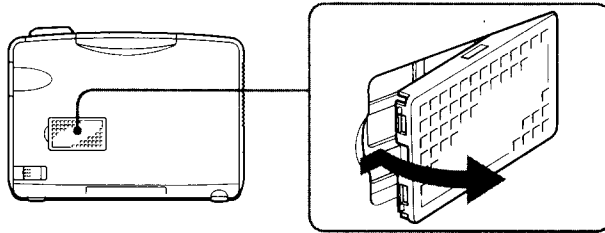
If the projector heats up because of a very dusty filter, the projector displays "TEMPERATURE" and stops operating.

Note

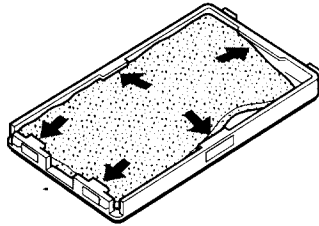
Make sure that you turn off the power before changing the filter.

- 1 Turn off the power and disconnect the AC power cord.
- 2 Remove the dusty filter sponge.

Insert your finger into the groove by the filter and push out the filter from the projector. Remove the filter sponge from the filter.



- 3 Place the supplied filter sponge into the filter, and replace the filter in the projector.



Tip

If the filter is damaged, consult your nearest Sony dealer.

Cleaning the filter sponge

You can use the same filter sponge after washing it.

Wash the filter sponge with water or a mild detergent solution, and then rinse it.

Make sure that the filter sponge is completely dry before replacing it in the projector.

Changing the bulb

The lamp is consumable. As the color reproduction may be poor or the picture may be dark after about 2000 hours of use, change the bulb.

Use only the **Sony XB-CPJ2MH Lamp Unit** for replacement.

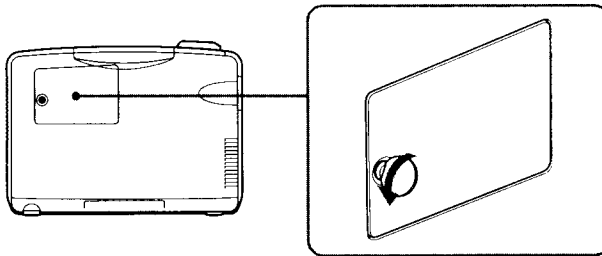
Notes

- Do not touch the bulb immediately after use as it will be very hot. Handle the bulb carefully.
- Avoid touching the surface of the new bulb and the inside of the reflector. Keep them clean to ensure the bulb efficiency.

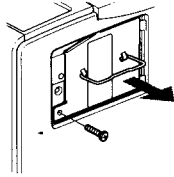
WARNING

Do not touch the lens and connectors when changing the bulb to prevent burning or electrical shock.

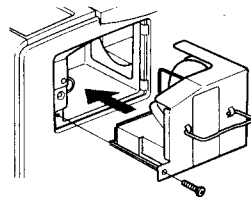
- 1** Turn off the power and disconnect the AC power cord.
- 2** Wait until the bulb has cooled down (about 30 minutes).
- 3** Loosen the screw of the bulb cover using a coin, etc., and remove the bulb cover.



- 4** Remove the screw securing the bulb unit using a screwdriver (not supplied), and pull out the bulb unit.



- 5** Install the new bulb unit and secure it with the screw.



- 6** Replace the bulb cover.

Specifications

Projector

LCD type	1.3 inches, 307,200 pixel
Lens	F1.8, f = 55 mm
Lamp	80 W Metal Halide bulb
Speaker	8 ohms, 1 W, \varnothing 50 mm x 1, monaural
Input signals	S Video: Mini DIN 4-pin Luminance signal: 1 Vp-p, 75 ohms, unbalanced, sync negative Chrominance signal: 0.286 Vp-p, 75 ohms, unbalanced Video: RCA pin, 1 Vp-p, 75 ohms, unbalanced, sync negative, Audio L/R: RCA pin L/R
Output signal	Audio: Stereo minijack
Compatibility	NTSC/PAL auto select
Power requirement	120 V AC, 60 Hz
Power consumption	Approx. 120 W
Operating temperature	41 °F to 95 °F (5 °C to 35 °C)
Storage temperature	- 4 °F to 140 °F (-20 °C to 60 °C)
Dimensions	Approx. $3\frac{5}{8} \times 8\frac{7}{8} \times 11\frac{3}{4}$ inches (90 x 223 x 297 mm) (w/h/d)
Mass	Approx. 7 lb 11 oz (3.5 kg)
Supplied accessories	IR transmitter (1) A/V connecting cable (1) AC power cord (1) AC power adapter (1) Lens cap (1) Filter sponge (1)

IR transmitter

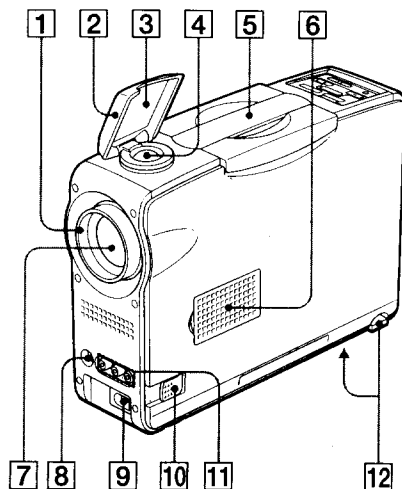
Video input	Pin jack (1): 1 Vp-p, 75 ohms, unbalanced, sync negative
Audio input	Pin Jack (2: L, R): -10 dBs, Input impedance: more than 47 kilohms
Audio output	Stereo mini jack
Operating temperature	32 °F to 104 °F (0 °C to 40 °C)
Storage temperature	- 4 °F to 140 °F (-20 °C to 60 °C)
Dimensions	Approx. $3\frac{3}{4} \times 9\frac{1}{8} \times 4$ inches (95 x 230 x 100 mm) (w/h/d) (jack and projected parts not included)
Mass	Approx. 4.6 oz (130 g)

Design and specifications are subject to change without notice.

Identifying the parts

See the pages in the parenthesis for the operation of each part.

Projector



1 FOCUS ring (p. 15)

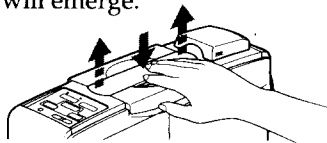
2 Cover (p. 14)

3 Mirror (p. 14)

4 IR receiver (p. 14)

5 Handle

Push the handle, and the handle will emerge.



6 Filter (p. 20)

7 Lens

8 S VIDEO connector (p. 9)

9 AC IN connector (p. 10)

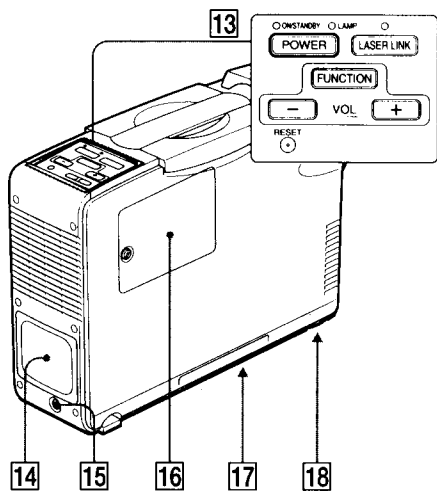
10 LOCK (stand lock) (p. 11)

11 VIDEO/AUDIO L/R connector (p. 8)

12 Side stands (p. 12)

continued

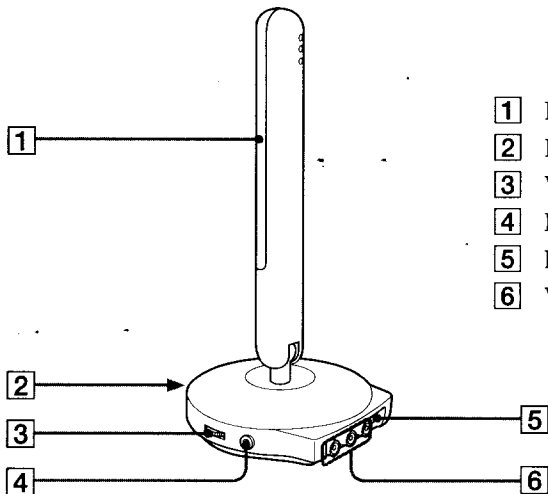
Identifying the parts (continued)



- 13** Control panel
 - ON/STANDBY indicator (p. 11)
 - LAMP indicator (p. 11)
 - POWER button (p. 11, 16)
 - LASER LINK indicator (p. 13)
 - LASER LINK button (p. 13)
 - FUNCTION button (p. 17 - 19)
 - VOL +/- buttons (p. 15, 18 - 19)
 - RESET button (p. 19)
- 14** Speaker
- 15** Ⓜ (headphones) jack (p. 10, 16)
- 16** Bulb cover (p. 21)
- 17** Tripod receptacle

When attaching a tripod, make sure that tripod can load more than 8 lb 13 oz (4 kg) and the length of the tripod screw is less than 9/32 inches (6.5 mm). Otherwise, the screw may damage the projector.
- 18** Front stand (p. 11, 12)

IR transmitter



- 1** IR emitter (p. 13)
- 2** POWER switch (p. 13, 16)
- 3** VOL control (p. 16)
- 4** PHONES jack (p. 16)
- 5** DC IN 9V jack (p. 7)
- 6** Video/Audio input jack (p. 7)

Troubleshooting

If you run into any problems using the projector, use the following table to troubleshoot the problem.

If the problem persists, consult your nearest Sony dealer.

The ON/STANDBY indicator keeps flashing.

- Turn off the power and disconnect the AC power cord. Wait for more than three seconds. Then reconnect the AC power cord and turn on the power again.
- Replace the bulb with a new one (p. 21).

"TEMPERATURE" is displayed.

- Change or clean the filter sponge (p. 20).
- Clean the filter holes so that they are not blocked.
- If the above remedy does not work, consult your dealer.

"FAN" is displayed.

- Consult your dealer.

The projector does not turn on.

- Check the connection (p. 7 - 10).
- Close the bulb cover properly.

No picture is projected.

- Check the connection (p. 7 - 10).
- Check the connected source equipment.
- Remove the lens cap.
- Connect the AC power adapter to the IR transmitter and a wall outlet (p. 7).
- Press the POWER switch to turn on the IR transmitter (p. 13).
- Prevent the IR receiver from direct sunlight.
- Adjust the position and angle of the IR transmitter and the mirror for the IR receiver (p. 14).
- Move the IR transmitter closer to the IR receiver.

No picture is projected because the POWER button is pressed while the LAMP indicator is flashing.

- Turn off the power and disconnect the AC power cord. Wait for more than three seconds. Then reconnect the AC power cord and turn on the power again.

continued

Troubleshooting (continued)

The picture is dark.

- Adjust the picture (p. 17 - 19).
- Decrease the distance between the screen and the projector to make the picture smaller (p. 6).
- Replace the bulb with a new one (p. 21).

The picture is unclear.

- Adjust the focus (p. 15).
- Project the picture perpendicularly against the screen so that the image is rectangular (p. 5)
- Adjust the position and angle of the IR transmitter and the mirror for the IR receiver (p. 14).

The picture is distorted.

- Place the projector so that the lens is perpendicular to the projected plane.
- Adjust the angle with the stand (p. 11)

The picture is noisy.

- Check the connection (p. 7 - 10).
- Adjust the direction of the mirror for the IR receiver (p. 14).
- The IR transmitter is too close to the IR receiver (p. 6).
- If the picture is still noisy, try connecting the projector and video equipment using the supplied A/V connecting cable (p. 8).

No sound

- Press VOL + (p. 15).
- Check the connection (p. 7 - 10).
- Adjust the position and angle of the IR transmitter and the mirror for the IR receiver (p. 14).

The projector is warm.

- This is normal and not a malfunction of the projector.

Constant bright points of light (red, blue, or green) appear on the screen.

- This is a characteristic of the liquid crystal screen and not a malfunction of the projector.

Table des matières

- 4 Félicitations**
- 5 Précautions**
- 6 Sélection de la position de projection**
- 7 Préparation**
 - 7 Utilisation du système IR sans fil – LASER LINK
 - 8 Raccordement direct à un appareil vidéo
 - 10 Raccordement à des haut-parleurs externes
 - 10 Branchement du cordon d'alimentation
- 11 Projection**
 - 11 Mise sous tension du projecteur
 - 13 Utilisation du système IR sans fil – LASER LINK
 - 15 Réglage de la mise au point
 - 15 Réglage du volume
 - 16 Utilisation du casque d'écoute
 - 16 Mise hors tension du projecteur
- 17 Réglage de l'image**
- 20 Entretien**
 - 20 Remplacement du filtre
 - 21 Remplacement de la lampe
- 22 Spécifications**
- 23 Identification des composants**
- 25 Dépannage**

Félicitations

Nous vous remercions d'avoir fait l'acquisition d'un projecteur LCD couleur Sony CPJ-A300. Nous vous présentons ci-dessous quelques-unes des caractéristiques fonctionnelles de votre nouveau projecteur Sony.

Image à haute résolution

Vous pouvez exploiter les fonctions audio/ vidéo avec une image à haute résolution de 307.200 pixels.

LASER LINK - Transmission par rayons infrarouges du son et de l'image


Vous pouvez projeter une image sans raccorder le projecteur à l'appareil vidéo.

LASER LINK est un système qui transmet et reçoit une image et un son au moyen de rayons infrarouges.

Conception compacte

Simple à installer dans une bibliothèque.

LASER LINK est une marque commerciale de Sony Corporation.

Sony recommande d'utiliser ce projecteur avec un appareil vidéo identifié par ce label .

Précautions

Installation

- Installez le projecteur pour que l'objectif soit perpendiculaire au plan de projection. Sinon, l'image risque de présenter des distorsions ou de ne pas être nette.
- Vous pourrez visionner l'image avec beaucoup plus de clarté dans un local sombre.
- La luminosité de l'image dépend de la surface du plan de projection. Sélectionnez une surface de projection plane et blanche.
- L'image devient plus sombre à mesure que la distance par rapport au plan de projection augmente.
- Assurez une circulation d'air adéquate afin d'éviter toute surchauffe interne. Ne placez pas l'appareil sur des surfaces textiles (tapis, couvertures, etc.) ni à proximité de tissus (rideaux, draperies) qui risquent d'obstruer les orifices de ventilation. Laissez un espace libre de plus de 30 cm (12 pouces) entre le mur et le projecteur.
- Ne pas installer l'appareil dans un espace confiné, comme une bibliothèque ou un meuble encastré.
- N'installez pas l'appareil à proximité de sources de chaleur telles que des radiateurs ou des conduits d'air chaud et ne le soumettez pas au rayonnement direct du soleil, à de la poussière ou à de l'humidité en excès, ni à des vibrations mécaniques ou à des chocs.
- Pour éviter la condensation d'humidité, n'installez pas l'appareil là où la température risque d'augmenter rapidement.

Utilisation

- Ne dirigez pas l'objectif vers le soleil.
- Ne regardez pas vers l'objectif en cours de projection.
- Si des liquides ou des solides venaient à tomber dans le châssis, débranchez l'appareil et faites-le vérifier par le personnel qualifié avant de le remettre en service.
- Débranchez l'appareil de la prise murale lorsque vous ne l'utilisez pas.
- Pour débrancher le cordon d'alimentation, saisissez-le par la fiche. Ne tirez jamais sur le cordon proprement dit.
- N'utilisez pas le projecteur à proximité d'une radio ou d'un syntoniseur AM.

Nettoyage du projecteur

- Avant de procéder au nettoyage de l'appareil, mettez-le hors tension et débranchez le cordon d'alimentation de la prise murale.
- Nettoyez l'appareil à l'aide d'un chiffon doux et sec. Pour éliminer les souillures tenaces, frottez l'appareil avec un chiffon doux légèrement imprégné d'une solution détergente douce et, ensuite, essuyez-le. N'utilisez aucun type de solvant, qui risquerait d'altérer le fini du châssis.
- Essuyez soigneusement le miroir pour le récepteur IR.

Nettoyage de l'objectif

- Nettoyez la surface de la lentille frontale avec une soufflette. Ne la frottez pas avec un chiffon. Nous vous conseillons d'utiliser du papier de nettoyage spécial pour lentilles.

Sélection de la position de projection

Le format du plan de projection dépend de la distance comprise entre l'appareil et le plan de projection.

Installez l'appareil avec l'objectif dirigé vers le plan de projection en vous référant à l'illustration et au tableau ci-dessous.

Nous vous conseillons d'utiliser le projecteur à une distance de 3 à 11 pieds (1 à 3,5 m) du plan de projection.

Diamètre du plan de projection (en pouces) et distance par rapport à l'appareil pour chaque format

La distance recommandée par rapport au plan de projection est comprise entre 20 et 80 pouces (approx. 50 et 200 cm).

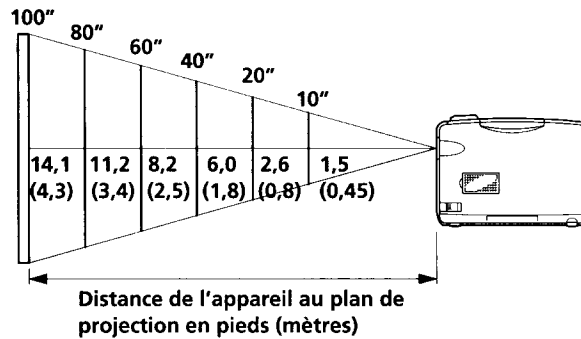


Tableau des formats du plan de projection suivant la distance entre l'appareil et le plan de projection

Distance du plan de projection	Format du plan de projection
3 pieds (1 m)	Approx. 19 x 14 ^{1/4} pouces (480 x 360 mm)
6 pieds (2 m)	Approx. 37 ^{7/8} x 28 ^{3/8} pouces (960 x 720 mm)
8 pieds (2,5 m)	Approx. 47 ^{1/4} x 35 ^{1/2} pouces (1200 x 900 mm)
9 pieds (3 m)	Approx. 57 ^{1/2} x 43 ^{3/8} pouces (1460 x 1100 mm)
11 pieds (3,5 m)	Approx. 66 ^{1/4} x 49 ^{5/8} pouces (1670 x 1260 mm)

Préparation

Conseil

Ce projecteur accepte les signaux vidéo des systèmes couleur NTSC et PAL.

Remarques

- Mettez l'appareil vidéo et le projecteur hors tension avant de procéder aux raccordements.
- Consultez également le mode d'emploi de l'appareil vidéo.
- Pour raccorder le transmetteur IR à l'alimentation secteur, utilisez uniquement l'adaptateur secteur fourni parce que la polarité de l'adaptateur fourni est inverse à celle des adaptateurs classiques. N'utilisez pas l'adaptateur secteur fourni avec d'autres appareils électriques dotés d'une prise DC IN 9 V.



Polarité de la fiche

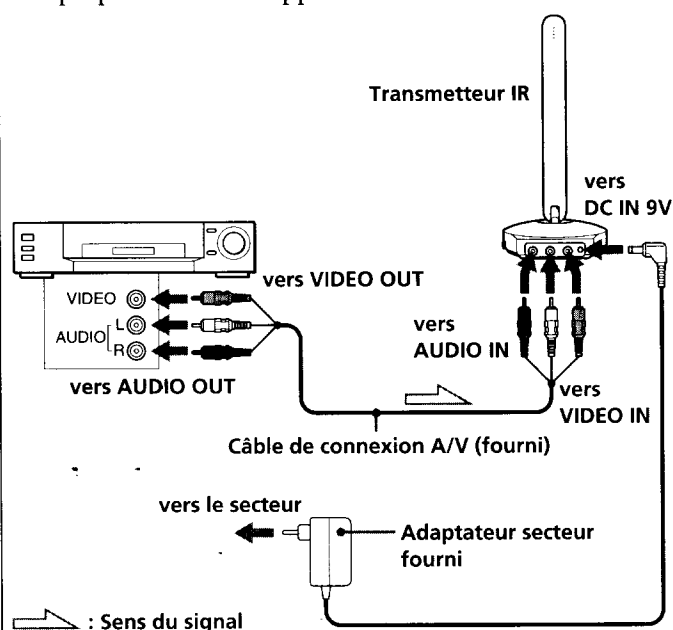
Vous avez le choix entre deux méthodes pour recevoir de l'appareil vidéo l'image et le son à projeter : à l'aide du système à infrarouge (IR) sans fil ou en raccordant directement l'appareil vidéo.

Utilisation du système IR sans fil - LASER LINK

Raccordez le transmetteur IR fourni à un appareil vidéo tel qu'un magnétoscope ou un caméscope à l'aide du câble de connexion A/V fourni.

Raccordez l'adaptateur secteur fourni sur la borne DC IN 9V du transmetteur IR et sur une prise murale (secteur).

Vous ne devez pas raccorder le projecteur proprement dit à l'appareil vidéo.



Raccordement direct à un appareil vidéo

Raccordez un appareil vidéo tel qu'un magnétoSCOPE ou un caméSCOPE à l'aide du câble de connexion A/V fourni.

Assurez-vous que l'indicateur LASER LINK du panneau de commande est désactivé.

Conseil

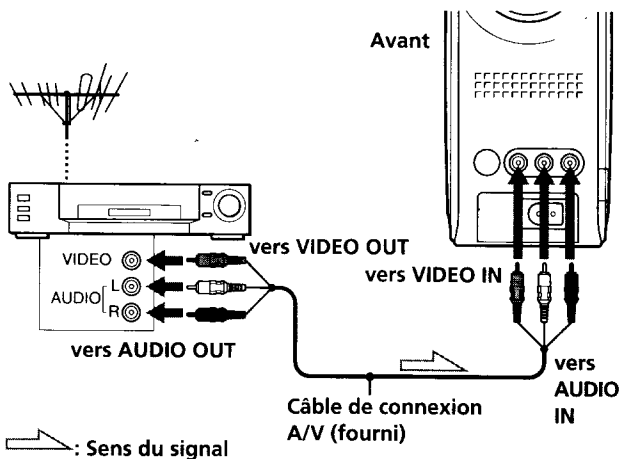
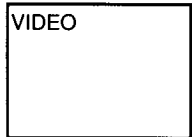
Ce projecteur accepte les signaux vidéo des systèmes couleur NTSC et PAL.

Remarques

- Mettez l'appareil vidéo et le projecteur hors tension avant de procéder aux raccordements.
- Consultez également le mode d'emploi de l'appareil vidéo.

Si vous commutez depuis le système LASER LINK

L'indication "VIDEO" apparaît lorsque vous projetez l'image. L'écran d'affichage s'éteindra après 5 secondes.



Conseil

Si les fiches S vidéo et vidéo sont raccordées toutes les deux, le signal S vidéo est automatiquement sélectionné.

Si vous commutez depuis le système LASER LINK

L'indication "S-VIDEO" apparaît lorsque vous projetez l'image.

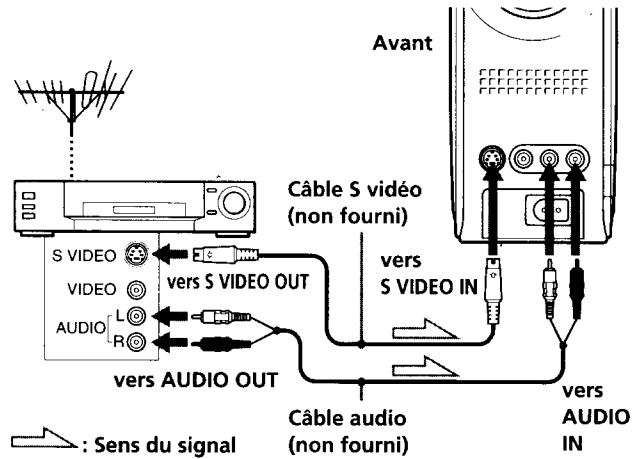
L'écran d'affichage s'éteindra après 5 secondes.

S-VIDEO

Si votre appareil vidéo est doté d'une prise S VIDEO

Raccordez le projecteur à l'appareil vidéo au moyen d'un câble S vidéo (non fourni). Ce raccordement vous permet d'obtenir des images de haute qualité.

Dans ce cas, vous ne devez pas brancher la fiche vidéo (jaune).



Préparation (suite)

Remarques

- Mettez le haut-parleur et le projecteur hors tension avant de procéder au raccordement.
- Consultez également le mode d'emploi des haut-parleurs.


Remarque

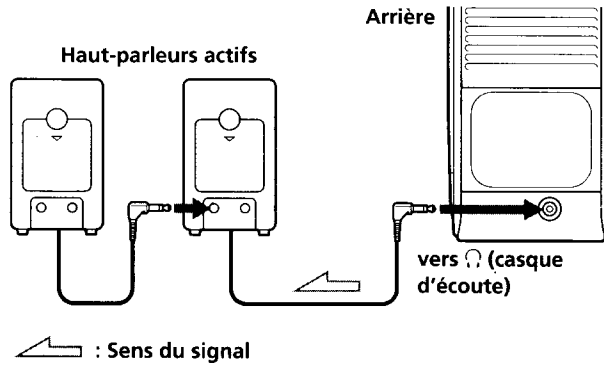
Lorsque des haut-parleurs externes sont raccordés, le haut-parleur intégré du projecteur est désactivé.

ATTENTION

N'utilisez jamais de convertisseur CC/CA.

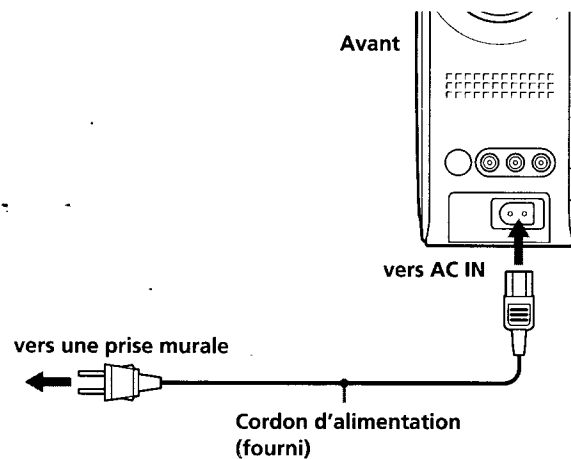
Raccordement à des haut-parleurs externes

Si vous voulez raccorder des haut-parleurs externes (non fournis) au projecteur, raccordez-les aux prises  du projecteur.

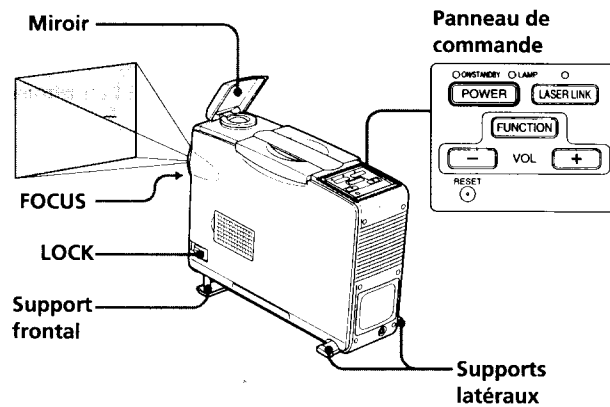


Branchement du cordon d'alimentation

Branchez le cordon d'alimentation (fourni) au projecteur et à une prise d'alimentation (secteur).



Projection



Si la lampe ne s'allume pas

Si vous appuyez à nouveau sur POWER juste après avoir mis le projecteur hors tension, la lampe ne s'allumera pas. Cette caractéristique est inhérente à la lampe et ne constitue pas un dysfonctionnement. Dans ce cas, attendez un moment et appuyez à nouveau sur POWER. Et la lampe s'allumera.

Remarques

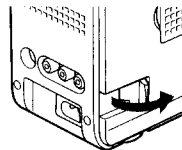
- Attendez que le projecteur ait chauffé. Il faut quelques secondes avant que le plan de projection apparaisse.
- N'appuyez pas sur POWER pendant que l'indicateur LAMP clignote. Vous risquez sinon de provoquer un dysfonctionnement de l'appareil.

Si l'indicateur ON/STANDBY continue de clignoter

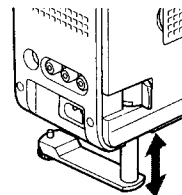
Mettez l'appareil hors tension et déconnectez le cordon d'alimentation. Attendez encore trois secondes. Rebranchez ensuite le cordon d'alimentation et remettez l'appareil sous tension.

Mise sous tension du projecteur

- 1 Appuyez sur POWER sur le panneau de commande.
L'indicateur ON/STANDBY vire au vert.
L'indicateur LAMP se met à clignoter.
La lampe s'allume et le plan de projection apparaît.
- 2 Si nécessaire, ajustez la position du plan de projection au moyen du support.
 - ① Déverrouillez le support.



- ② Ajustez la position.



suite

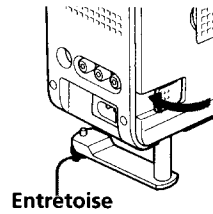
Projection (suite)

Remarque sur l'écran LCD

L'écran LCD est fabriqué en faisant appel à des technologies de haute précision. Il se peut toutefois que de minuscules points noirs et/ou lumineux (de couleur rouge, bleue ou verte) apparaissent de manière continue sur l'écran LCD. Ces points constituent un phénomène normal du processus de fabrication et ne signifient pas un dysfonctionnement du projecteur. L'écran offre une efficacité d'utilisation opérationnelle de plus de 99,99 %.

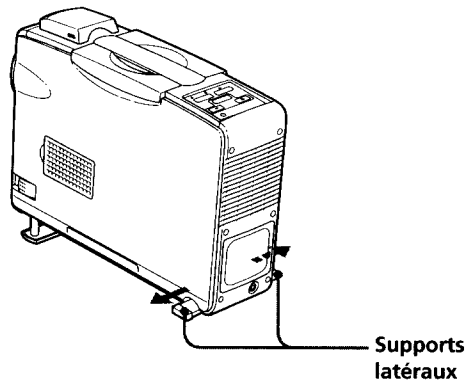
- ③ Verrouillez fermement le support de façon à ce qu'il ne s'effondre pas.

Vous pouvez régler la position horizontale en tournant l'entretoise.



Pour stabiliser le projecteur

Déployez les supports latéraux à l'arrière, dans le bas.



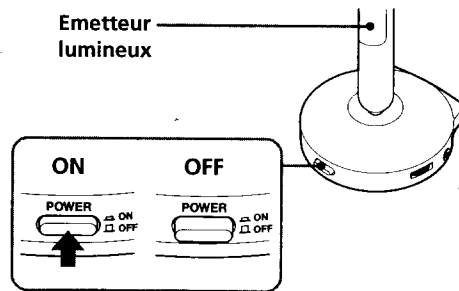
Utilisation du système IR sans fil – LASER LINK

Positionnez le transmetteur IR et le récepteur IR du projecteur de façon à qu'ils fonctionnent efficacement.

Remarques

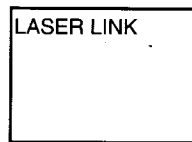
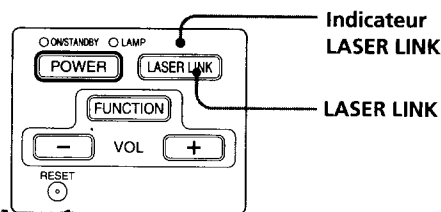
- Si l'angle du transmetteur IR ou du récepteur IR est ajusté en-dehors de la portée efficace, cela peut provoquer un dysfonctionnement.
- Ne recouvrez pas l'émetteur lumineux du transmetteur IR ou du récepteur IR avec la main, etc.
- Les rayons infrarouges ne traversent pas les murs ni les vitres opaques. Le récepteur IR doit par conséquent être utilisé dans la zone de portée efficace du transmetteur IR.
- La luminosité de l'émetteur lumineux du transmetteur IR n'est pas nécessairement stable. Il ne s'agit pas d'un dysfonctionnement et cela n'affecte pas la distance de portée infrarouge.
- Si le transmetteur IR est placé trop près du récepteur IR, des parasites peuvent apparaître. Vous pouvez éliminer ces parasites en réglant le miroir.
- Des parasites apparaissent si le transmetteur IR sort de la plage illustrée dans le schéma de droite ou si le miroir pour le récepteur IR s'éteint.
- Placez le transmetteur IR lorsqu'il est stable.

- 1 Appuyez sur la touche POWER du transmetteur IR (ON).



- 2 Appuyez sur LASER LINK de manière à activer l'indicateur LASER LINK.

L'indicateur LASER LINK s'allume en rouge et "LASER LINK" apparaît dans l'angle supérieur gauche de l'écran.



L'écran d'affichage s'éteindra après 5 secondes.

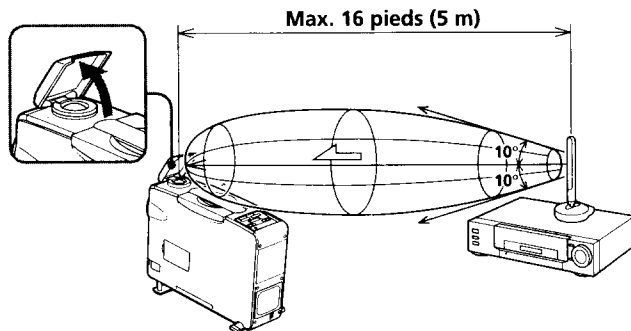
suite

Projection (suite)

- Evitez d'exposer toute partie du récepteur lumineux à des rayons lumineux puissants tels que la lumière directe du soleil ou à des rayons lumineux fluorescents d'inverseur ou à toute autre source de rayons infrarouges telle qu'une télécommande. Vous risquez sinon de provoquer des parasites dans le son et dans l'image.
- Veillez à ce que le miroir reste propre. S'il est souillé, le miroir ne réfléchit pas correctement les rayons infrarouges vers le récepteur IR.
- Si des parasites apparaissent dans l'image ou altèrent le son lorsque vous utilisez le système LASER LINK, raccordez le projecteur et l'appareil vidéo au moyen du câble de connexion A/V fourni.

3 Ouvrez le couvercle et dirigez le transmetteur IR vers le miroir pour le récepteur IR.

Le diagramme illustre la zone de couverture approximative des rayons infrarouges. Positionnez le transmetteur IR et le récepteur IR dans cette zone.

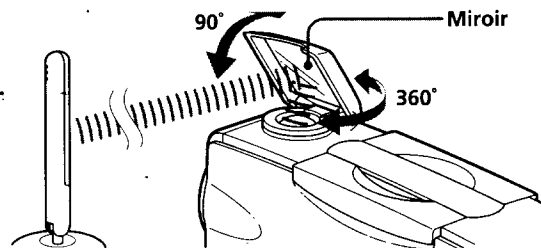


↙ : Sens du signal

4 Démarrez la lecture sur l'appareil vidéo.

5 Ajustez l'angle du miroir pour le récepteur IR de façon à ce que l'image et le son offrent une qualité optimale.

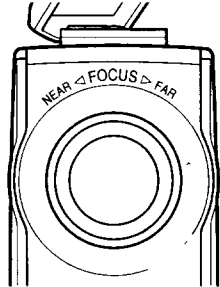
Vous pouvez ouvrir le miroir jusqu'à 90 degrés et le faire pivoter sur 360 degrés.



Réglage de la mise au point

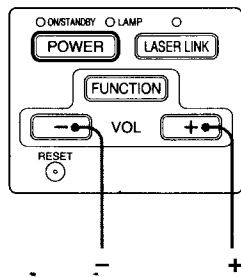
Tournez la bague FOCUS.

- Pour régler la mise au point sur une position plus rapprochée, tournez la bague du côté NEAR.
- Pour régler la mise au point sur une position plus éloignée, tournez la bague du côté FAR.



Réglage du volume

Réglez le volume en appuyant sur la touche VOL + ou -.



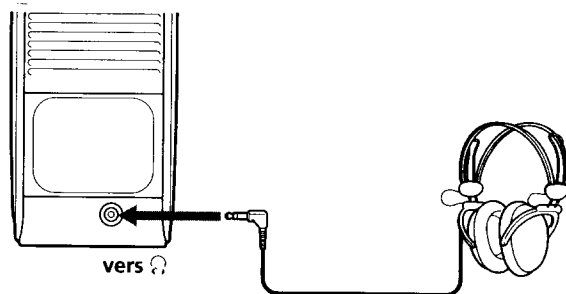
Remarque

Le haut-parleur du projecteur est de type monaural. Lorsqu'un son stéréo est transmis au projecteur, il est mixé avant d'être diffusé par le haut-parleur.

Utilisation du casque d'écoute

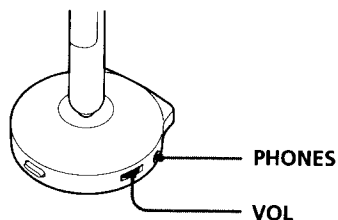
Sur le projecteur

Branchez le casque d'écoute sur la prise Ω .



Sur le transmetteur IR

Branchez le casque d'écoute sur la prise PHONES.
Réglez le volume à l'aide de la commande VOL.



Mise hors tension du projecteur

- 1 Appuyez sur la touche POWER du panneau de commande.
Le ventilateur continue de tourner et s'arrête automatiquement au bout d'un moment.
- 2 Débranchez le cordon d'alimentation.

Lorsque vous avez utilisé le transmetteur IR

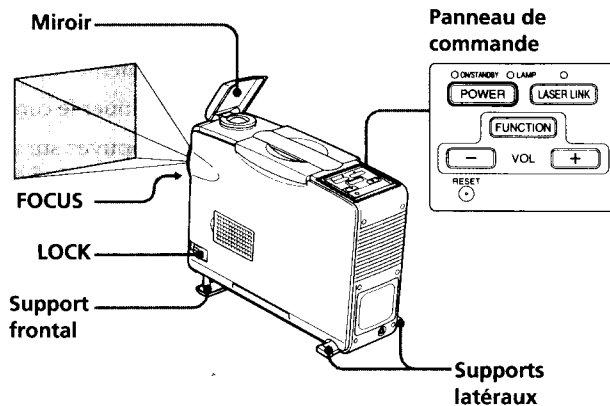
Refermez le miroir jusqu'à ce qu'il s'encliquette.

Appuyez sur la touche POWER du transmetteur IR (■ OFF).

Remarque

Ne déconnectez pas le cordon d'alimentation pendant que le ventilateur tourne. Vous risquez sinon de provoquer un dysfonctionnement.

Réglage de l'image



Conseil

Le projecteur accepte et sélectionne automatiquement le système couleur PAL ou NTSC.

Vous pouvez régler la luminosité, le contraste, la teinte (système couleur NTSC uniquement) et l'intensité des couleurs du signal vidéo.

Si nécessaire, vous pouvez également réinitialiser le réglage aux valeurs par défaut.

Les paramètres de réglage changent dans l'ordre suivant chaque fois que vous appuyez sur FUNCTION.

Paramètres de réglage

PICTURE: Réglage du contraste de l'image.

HUE: Si l'image semble trop rouge ou trop verte, réglez la teinte (système couleur NTSC uniquement).

COLOR: Réglage de l'intensité des couleurs.

BRIGHTNESS: Réglage de la luminosité de l'image.

Réglage du contraste de l'image

- 1 Appuyez sur FUNCTION jusqu'à ce que l'indication "PICTURE" apparaisse.



suite

Réglage de l'image (suite)

Remarque

L'indication "HUE" n'apparaît pas lorsqu'un signal vidéo du système couleur PAL est entré.

2 Appuyez sur + ou – de façon à régler le contraste de l'image au niveau approprié.

- Pour augmenter le contraste, appuyez sur +.
- Pour diminuer le contraste, appuyez sur –.

Si vous n'appuyez sur aucune touche, l'écran disparaît au bout de 5 secondes.

Réglage de la teinte (système couleur NTSC uniquement)

1 Appuyez sur FUNCTION jusqu'à ce que l'indication "HUE" apparaisse.



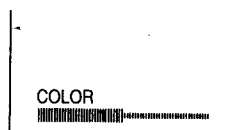
2 Appuyez sur + ou – de façon à régler la teinte de l'image au niveau approprié.

- Si les visages sont trop rouges, appuyez sur +.
- Si les visages sont trop verts, appuyez sur –.

Si vous n'appuyez sur aucune touche, l'écran disparaît au bout de 5 secondes.

Réglage de l'intensité des couleurs

1 Appuyez sur FUNCTION jusqu'à ce que l'indication "COLOR" apparaisse.



2 Appuyez sur + ou – de façon à régler l'intensité des couleurs de l'image au niveau approprié.

- Pour augmenter l'intensité des couleurs, appuyez sur +.
- Pour diminuer l'intensité des couleurs, appuyez sur –.

Si vous n'appuyez sur aucune touche, l'écran disparaît au bout de 5 secondes.

Réglage de la luminosité

- 1 Appuyez sur **FUNCTION** jusqu'à ce que l'indication "BRIGHTNESS" apparaisse.



- 2 Appuyez sur + ou - de façon à régler la luminosité de l'image au niveau approprié.

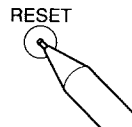
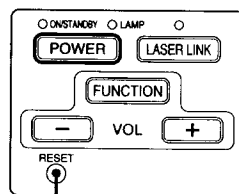
- Pour augmenter la luminosité, appuyez sur +.
- Pour diminuer la luminosité, appuyez sur -.

Si vous n'appuyez sur aucune touche, l'écran disparaît au bout de 5 secondes.

Réinitialisation des réglages aux valeurs par défaut

Appuyez sur **RESET** à l'aide d'un ustensile pointu comme un stylo à bille.

Les réglages sont ramenés aux valeurs par défaut.



RESET

Remarque

La touche **RESET** est délibérément difficile à enfoncer de manière à ce que les réglages ne puissent être annulés par inadvertance.

Remarque

N'oubliez pas de mettre l'appareil hors tension avant de remplacer le filtre.

Conseil

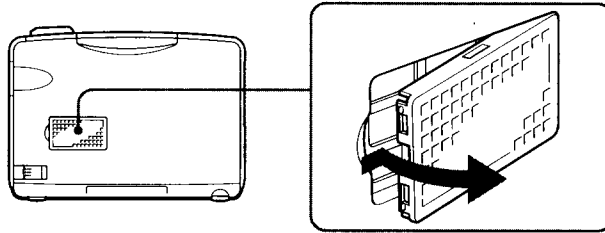
Si le filtre est endommagé, consultez votre revendeur Sony.

Remplacement du filtre

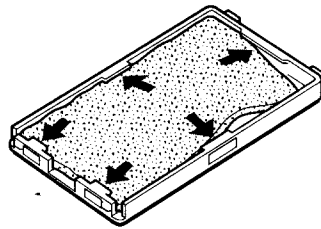
Si l'appareil s'échauffe en raison d'une accumulation de poussière sur le filtre, il affiche le message "TEMPERATURE" et cesse de fonctionner.

- 1 Mettez l'appareil hors tension et débranchez le cordon d'alimentation.
- 2 Retirez la mousse filtrante chargée de poussière.

Introduisez le doigt dans l'orifice du filtre et extrayez le filtre de l'appareil. Retirez la mousse filtrante du filtre.



- 3 Introduisez la mousse filtrante fournie dans le filtre et réinstallez le filtre dans l'appareil.



Nettoyage de la mousse filtrante

Vous pouvez réutiliser la même mousse filtrante après l'avoir lavée.

Lavez la mousse filtrante à l'eau ou avec une solution détergente neutre et rincez-la ensuite.

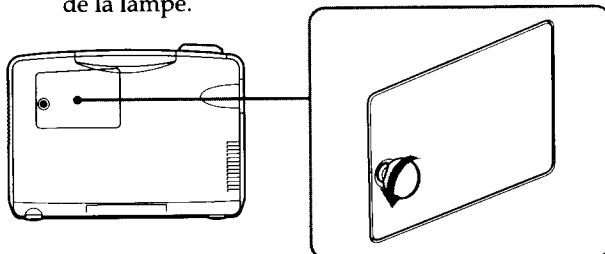
Assurez-vous que la mousse filtrante est complètement sèche avant de l'installer dans le projecteur.

Remplacement de la lampe

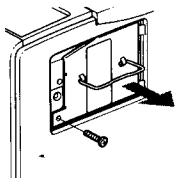
La lampe est expansible. Etant donné qu'il est possible que la reproduction des couleurs devienne médiocre ou que l'image s'assombrit après environ 2000 heures d'utilisation, remplacez la lampe.

Pour le remplacement, utilisez uniquement une lampe Sony XB-CPJ2MH.

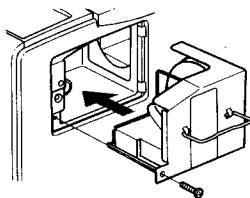
- 1 Mettez l'appareil hors tension et débranchez le cordon d'alimentation.
- 2 Attendez que la lampe soit refroidie (environ 30 minutes).
- 3 Dévissez la vis du couvercle de la lampe à l'aide d'une pièce de monnaie, etc. et déposez le couvercle de la lampe.



- 4 Déposez la vis de fixation de la lampe à l'aide d'un tournevis (non fourni) et extrayez la lampe.



- 5 Installez la nouvelle lampe et fixez-la au moyen de la vis.



- 6 Remplacez le couvercle de la lampe.

Remarques

- Ne touchez pas l'ampoule directement après avoir utilisé l'appareil, car elle est brûlante. Manipulez l'ampoule avec précautions.
- Evitez de toucher la nouvelle lampe et l'intérieur du réflecteur à mains nues. Veillez à ce qu'ils restent parfaitement propres de façon à garantir l'efficacité de la lampe.

AVERTISSEMENT

Ne touchez pas l'objectif et les connecteurs lorsque vous remplacez la lampe de façon à éviter de vous brûler ou de vous électrocuter.

Spécifications

Projecteur

Type LCD	1,3 pouces, 307.200 pixels
Objectif	F1,8, f = 55 mm
Lampe	Lampe à halogène-métal de 80 W
Haut-parleur	8 ohms, 1 W, ø 50 mm x 1, monaural
Signaux d'entrée	S-VIDEO : Miniconnecteur DIN à 4 broches Signal de luminance : 1 Vcc, 75 ohms, asymétrique, sync négative Signal de chrominance : 0,286 Vcc, 75 ohms, asymétrique Vidéo : Broche RCA, 1 Vcc, 75 ohms, asymétrique, sync négative Audio G/D : Broche RCA G/D
Signal de sortie	Audio : miniprise stéréo
Compatibilité	Sélection NTSC/PAL automatique
Puissance de raccordement	120 V CA, 60 Hz
Consommation électrique	Approx. 120 W
Température d'utilisation	41 °F à 95 °F (5 °C à 35 °C)
Température de stockage	- 4 °F to 140 °F (-20 °C à 60 °C)
Dimensions	Approx. 3 ⁵ / ₈ x 8 ⁷ / ₈ x 11 ³ / ₄ pouces (90 x 223 x 297 mm) (l/h/p)
Masse	Approx. 7 lb 11 oz (3,5 kg)
Accessoires fournis	Transmetteur IR (1) Câble de connexion A/V (1) Cordon d'alimentation (1) Adaptateur secteur (1) Bouchon d'objectif (1) Mousse filtrante (1)

Transmetteur IR

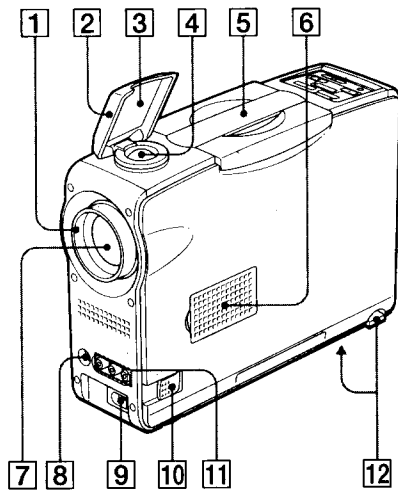
Entrée vidéo	Jack miniature (1): 1 Vcc, 75 ohms, asymétrique, sync négatif
Entrée audio	Jack miniature (2: G, D): -10 dBs, impédance d'entrée supérieure à 47 kilohms
Sortie audio	Minijack stéréo
Température de fonctionnement	32 °F à 104 °F (0 °C à 40 °C)
Température de stockage	- 4 °F to 140 °F (-20 °C à 60 °C)
Dimensions	Approx. 3 ³ / ₄ x 9 ¹ / ₈ x 4 pouces (95 x 230 x 100 mm) (l/h/p) (Jacks et parties saillantes non compris)
Poids	Approx. 4,6 oz (130 g)

La conception et les spécifications sont sujettes à modifications sans préavis.

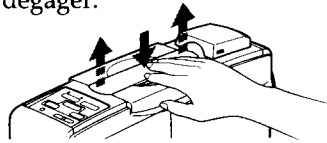
Identification des composants

Reportez-vous aux pages entre parenthèses pour le fonctionnement de chaque composant.

Projecteur



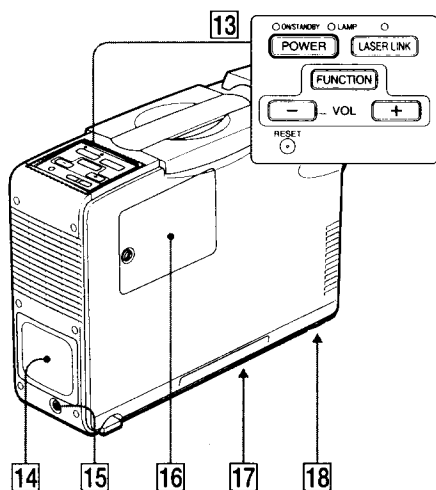
- 1 Bague FOCUS (p. 15)
- 2 Couvercle (p. 14)
- 3 Miroir (p. 14)
- 4 Récepteur IR (p. 14)
- 5 Poignée
Poussez sur la poignée pour la dégager.



- 6 Filtre (p. 20)
- 7 Objectif
- 8 Connecteur S VIDEO (p. 9)
- 9 Connecteur AC IN (p. 10)
- 10 LOCK (verrouillage du support) (p. 11)
- 11 Connecteur VIDEO / AUDIO L / R (p. 8)
- 12 Supports latéraux (p. 12)

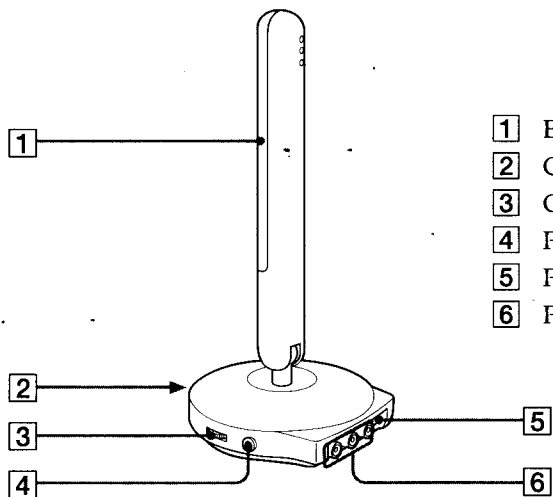
suite

Identification des composants (suite)



- 13** Panneau de commande
Indicateur ON/STANDBY (p. 11)
Indicateur LAMP (p. 11)
Touche POWER (p. 11, 16)
Indicateur LASER LINK (p. 13)
Touche LASER LINK (p. 13)
Touche FUNCTION (p. 17 - 19)
Touches VOL +/- (p. 15, 18 - 19)
Touche RESET (p. 19)
- 14** Haut-parleur
- 15** Prise ϕ (casque d'écoute) (p. 10, 16)
- 16** Couvercle d'ampoule (p. 20)
- 17** Réceptacle du trépied
Lorsque vous attachez le trépied, assurez-vous que le trépied puisse charger plus de 8 lb 13 oz (4 kg) et que la longueur de la vis du trépied ne dépasse pas 9/32 pouces (6,5 mm). Sinon, la vis peut endommager le projecteur.
- 18** Support frontal (p. 11, 12)

Transmetteur IR



- 1** Emetteur lumineux (p. 13)
- 2** Commutateur POWER (p. 13, 16)
- 3** Commande VOL (p. 16)
- 4** Prise PHONES (p. 16)
- 5** Prise DC IN 9V (p. 7)
- 6** Prise d'entrée audio/vidéo (p. 7)

Dépannage

Si vous rencontrez des difficultés dans le cadre de l'utilisation de cet appareil, consultez le tableau suivant pour tenter de remédier au problème survenu. Si le problème persiste, consultez votre revendeur Sony.

L'indicateur ON/STANDBY ne cesse pas de clignoter.

- Mettez l'appareil hors tension et déconnectez le cordon d'alimentation. Attendez encore trois secondes. Rebranchez ensuite le cordon d'alimentation et remettez l'appareil sous tension.
- Remplacez l'ampoule (p. 21).

L'indication "TEMPERATURE" est affichée.

- Remplacez ou nettoyez la mousse filtrante (p. 20).
- Nettoyez les orifices du filtre de façon à ce qu'ils soient correctement dégagés.
- Si les remèdes ci-dessus restent sans effet, consultez votre revendeur.

L'indication "FAN" est affichée.

- Consultez votre revendeur.

Le projecteur ne se met pas sous tension.

- Vérifiez le raccordement (p. 7 - 10).
- Refermez correctement le couvercle de la lampe.

Aucune image n'est projetée.

- Vérifiez le raccordement (p. 7 - 10).
- Vérifiez l'appareil source raccordé.
- Retirez le bouchon d'objectif.
- Raccordez l'adaptateur secteur au transmetteur IR et à une prise murale (p. 7).
- Appuyez sur le commutateur POWER pour mettre le transmetteur IR sous tension (p. 13).
- Mettez le récepteur IR à l'abri du rayonnement direct du soleil.
- Ajustez la position et l'angle du transmetteur IR et du miroir pour le récepteur IR (p. 14).
- Rapprochez le transmetteur IR du récepteur IR.

Aucune image n'est projetée parce que la touche POWER a été enfoncée pendant que l'indicateur LAMP clignotait.

- Mettez l'appareil hors tension et déconnectez le cordon d'alimentation. Attendez encore trois secondes. Rebranchez ensuite le cordon d'alimentation et remettez l'appareil sous tension.

suite

Dépannage (suite)

L'image est foncée.

- Réglez l'image (p. 17 - 19).
- Diminuez la distance entre l'écran et le projecteur de façon à réduire la taille de l'image (p. 6).
- Remplacez la lampe (p. 21).

L'image n'est pas claire.

- Réglez la mise au point (p. 15).
- Projetez l'image perpendiculairement à l'écran de façon à ce qu'elle soit rectangulaire (p. 5).
- Ajustez la position et l'angle du transmetteur IR et du miroir pour le récepteur IR (p. 14).

L'image est distordue.

- Installez le projecteur de façon à ce que l'objectif soit perpendiculaire au plan de projection.
- Réglez l'angle à l'aide du support (p. 11)

L'image comporte des parasites.

- Vérifiez le raccordement (p. 7 - 10).
- Ajustez la direction du miroir pour le récepteur IR (p. 14).
- Le transmetteur IR est trop proche du récepteur IR (p. 6).
- Si l'image comporte toujours des parasites, essayez de raccorder le projecteur et l'appareil vidéo à l'aide du câble de connexion A/V fourni (p. 8).

Pas de son

- Appuyez sur VOL + (p. 15).
- Vérifiez le raccordement (p. 7 - 10).
- Ajustez la position et l'angle du transmetteur IR et du miroir pour le récepteur IR (p. 14).

Le projecteur est chaud.

- C'est normal et il ne s'agit pas d'un dysfonctionnement du projecteur.

Des points lumineux permanents (rouges, bleus ou verts) apparaissent sur l'écran.

- C'est une caractéristique des écrans à cristaux liquides et il ne s'agit pas d'un dysfonctionnement du projecteur.