

CP-X990W

With an output of 3500 Ansi Lumens, Keystone Correction and Motion Adaptive Progressive Scan (MAPS), the CP-X990W is easy to use and delivers highly professional presentations.

- Up to 3500 ANSI Lumens
- Horizontal and Vertical Keystone Correction
- User defined start-up-screen
- Motion Adaptive Progressive Scan
- High Connectivity for Computer and Video
- 9 Language On-Screen Menu System
- Soft Carry Case Supplied
- Remote Control with Laser Pointer and Mouse Function
- RCA Video/Audio Cable
- Component Video Cable
- Power Cord (US, UK, Europe)



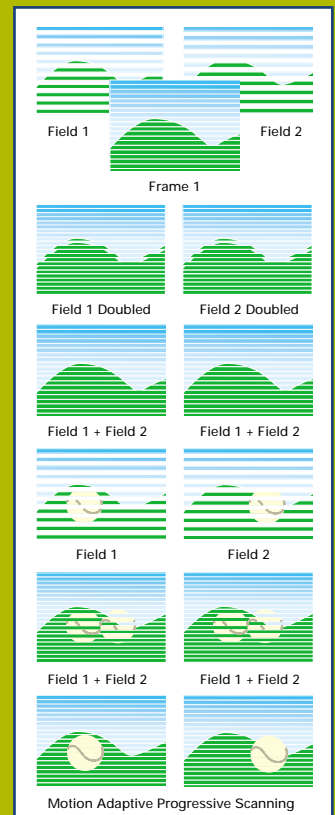
HITACHI

Inspire the Next

High Connectivity



Motion Adaptive Progressive Scan



CP-X990W

Technical Specifications

HITACHI
Inspire the Next

OPTICAL

Optical Structure	3 LCD panels, one projection lens, RGB shutter method
LCD Panel	1.3", P-Si TFT panel x 3, stripe pixel configuration
Resolution	Computer: 1024 x 768 (XGA) Video: 540 TV lines
Lens	F1.7-2.3, f=49-64mm, Power zoom 1.3 x Power focus
Lamp	275W UHB
Lamp Life	1500 hours
Brightness	3500 ANSI lumens, 2800 in whisper mode
Contrast Ratio	500:1
Focus Distance	1.1m-15m
Display Size	30"-300"
Colour	8 bits/colour, 16.7M colours

COMPATIBILITY

Composite Video	NTSC, PAL (-BGDHI), SECAM, PAL-M, PAL-N
Component Video	480i, 625i, 480p, 1080i and 720p
Computer	PC, Mac, Workstation, VGA, SVGA, XGA, SXGA (smart resizing)
Plug & Play	DDC1/2B at RGB1, DDC2B at DVI
Frequency Range	Vertical: 50-120Hz, horizontal: 15-80kHz

FEATURES

Keystone Correction	Fixed 20:1 upward shift, plus vertical and horizontal digital correction
Start-up-Screen	A user defined image can be stored for automatic display at start up
Video Output	Motion Adaptive Progressive Scan, advanced black level enhancement, noise reduction, Theatre Mode 3-2 pull down for NTSC
Image Control	2x digital magnification, freeze frame, picture-in-picture, mirror reverse & invert image
User Controls	On screen menu system in 9 languages, auto configuration
Speakers	1.2W x 2
Other	Ceiling mountable

CONNECTORS

Computer Input	2 x RGB analogue - 15-pin mini D-sub 1 x RGB digital - DVI
Video Input	2 x Audio - stereo mini-jack 1 x S-Video - mini-DIN 4 pin 1 x Composite - phono 1 x Component - phono 1 x Audio - phono L & R
RGB Output	1 x Analogue - 15-pin mini D-sub
Audio Output	1 x Audio - stereo mini-jack
Control	1 x RS-232C and mouse - 15-pin mini D-sub 1 x USB

POWER

Power Supply	100-120/220-240V AC, 50/60Hz
Power Consumption	440W

PHYSICAL

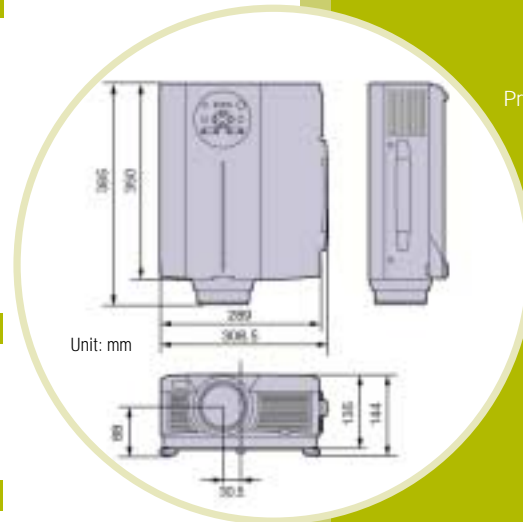
Dimensions (excluding lens & legs)	289 x 139 x 350mm (W x H x D)
Weight	6.9kg
Noise Level	40dB, 36dB in whisper mode
Approvals	CE, TUV, UL and FCC

SUPPLIED WITH

Remote Control with Laser Pointer and Mouse Function
Soft Carrying Case
Power Cord (US, UK, Europe)
RCA Video/Audio Cable
PS/2 Mouse Cable
AA Batteries x 2
RGB Cable
Component Video Cable

OPTIONS

Wheeled hard flight case (HCC3)



Projector Dimensions

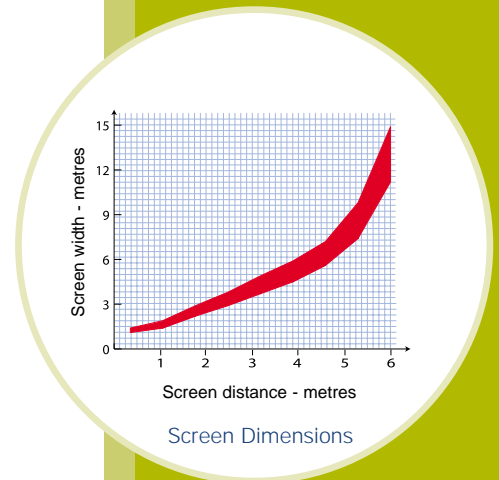


Image Size		Projection Distance	
		CP-X990W	
Diagonal	Width (m)	Min (m)	Max (m)
30" (0.76)	0.61	1.1	1.4
40" (1.02)	0.81	1.4	1.9
60" (1.52)	1.22	2.2	2.9
80" (2.03)	1.63	2.9	3.8
100" (2.54)	2.03	3.7	4.9
120" (3.05)	2.44	4.5	5.9
150" (3.81)	3.05	5.6	7.2
200" (5.08)	4.06	7.4	9.8
300" (7.62)	6.10	11.2	14.9

DIGITAL MEDIA GROUP
Hitachi Europe Ltd
Dukes Meadow,
Millboard Road,
Bourne End,
Buckinghamshire SL8 5XF
Telephone 01628 643 000
www.hitachidigitalmedia.com

The specification above and photography is for reference only and may be subject to change