

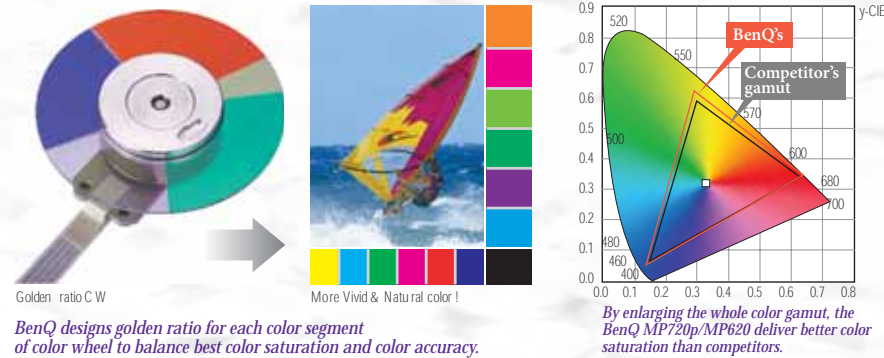
The BenQ MP720p/MP620 digital projector are perfect for multimedia presentations in both educational or business setting. The BenQ MP720p/MP620 provide the perfect color reproduction by meeting the sRGB guideline. Its 2500/2200 ANSI lumens bright image come with various easy-to-use features—such as its nine sets of application mode, which provides instant optimized settings for the best performance in teaching as well as other applications. Also available is an optional wireless module, LinkPro, that allows the user to move freely during presentations, enhancing their efficiency.



BenQ Unique Color Matching Technology

"Why don't the colors on the projection screen match those on my notebook's screen?"

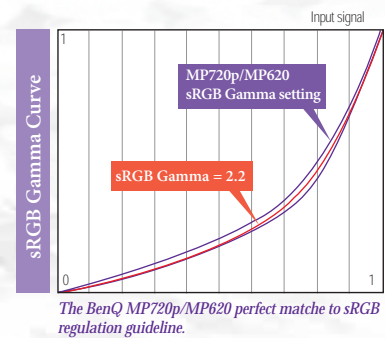
If you have ever been frustrated by this problem, the BenQ MP720p/MP620 will put an end to your misery. That's because BenQ has incorporated exclusive color matching technology in the BenQ MP720p/MP620 to ensure faithful color reproduction. This technology achieves greater color saturation, while enlarging the color gamut and using sophisticated gamma adjustments to more precisely reproduce the colors present in the original input image. As a result, you can enjoy the best possible viewing experience.



MP720p/MP620 are Certified by NSTL

sRGB colors show greater consistency across different display devices

sRGB (Standard Red, Green and Blue) was developed to ensure uniform reproduction of color coordinates regardless of the display device used. By adhering to the sRGB standard, the color profiles of the BenQ MP720p/MP620's projected images remain true to the originals.



Handy Wireless Connectivity and Long Distance Data Transmission via LAN



Choose the available wireless projector and click on the connect bottom to complete the connection process.

An optional wireless module, LinkPro, enables users to run presentations from a notebook without the need to hassle with cables. Moreover, the BenQ MP720p/MP620's wireless Wizard software allows easy switching between multiple notebooks – perfect for large meetings. And for long distance data transmission, LinkPro also features a LAN port connection to transmit the presentation data in digital format and minimize the signal decay. Even transmit the data at the distance of 100 meters, the signal remain true-to-original.

Easy to Use

Once the BenQ Wireless Wizard software has been activated, software on the notebook will automatically search for the BenQ MP720p/MP620's wireless signal. Whenever the projector appears in the list, it can be selected to complete the connection process. Furthermore, the image freeze function allows the presenter to complete the connection process. Furthermore, the image freeze function allows the presenter to freeze-frame their presentation on the projector, and the audience can only see that slide, while the presenter can edit the presentation documents on their notebook. When ready, the presenter can press the freeze image stop key to continue the presentation.

The Ultimate in Ease of Use

Besides displaying presentations, the BenQ MP720p/MP620 can do much more. Nine sets of application mode provides instant optimized settings for brightness, color saturation, and contrast, ensuring the best performance in teaching presentations or other applications such as movie viewing and gaming.



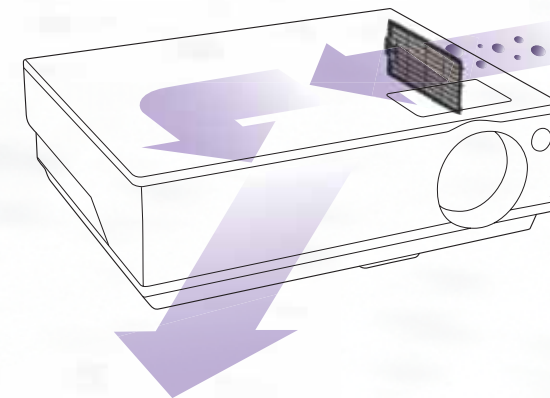
The one-touch hot key design- Mode enables you to switch from one mode to the others without any hassle.

Mp720p/MP620 Application mode Comparison					
Input Signal	Application Mode	Application	Brightness	Color Saturation	Contrast
PC Signal Input	Brightest Mode	The Brightness is emphasized.	★★★★	★	★★★★
	Presentation Mode	Presentation-power point	★★★★	★★	★★★★
	sRGB/Photo Mode	Graphic (Autocad)	★★	★★★★	★★
	Gaming Mode	PC Game	★★★	★★★	★★★
	Video Mode	Movie	★	★★★★	★
Video Singnal Input	Movie Mode	Colorful movie/ TV	★★	★★★★	★★
	Cinema Mode	Dark movie	★	★★★★	★
	Gaming Mode	TV Game	★★★	★★★	★★★
	Photo Mode	Photo viewing	★★★★	★★	★★★★

Thoughtfully Designed

Micro Dust Filter

Even invisible dust particles can damage sensitive projector components. That's why BenQ has included a specially designed dust filter that traps even microscopic debris from air before it passes through the BenQ MP720p/MP620.



Front Ventilation Design

The BenQ MP720p/MP620 utilize a front ventilation design, eliminating the annoying light leakage and vented hot air that can disturb viewers behind the projector.

Quick Cooling

The BenQ MP720p/MP620's quick-cooling feature cuts the time needed for the projector to cool down after use by about two-thirds, sparing users from awkward waits after a presentation.

High Altitude Mode

The BenQ MP720p/MP620's high-altitude mode takes advantage of a thermal design with two sets of cooling fans for the lamp and a DMD™ chip to ensure that the projector performs reliably even under adverse conditions, such as in high-altitude or high-temperature environments.

Auto Off

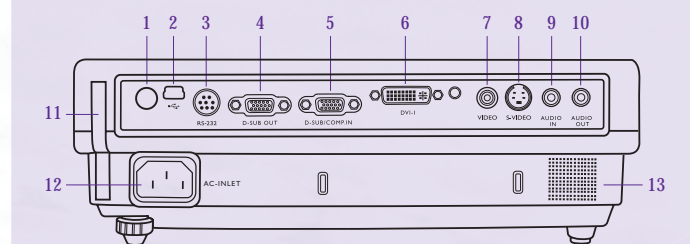
The BenQ MP720p/MP620 are smart enough to turn off automatically when no input is detected for a period of time, not only saving power but preventing possible overheating if the user forgets to turn it off.

Password Protection

The BenQ MP720p/MP620 are equipped with a password protection feature that prevents unauthorized use by requiring that the correct password be entered before an input source is accepted.

Input/Output Terminals

- Rear IR remote sensor
- USB socket
- RS232 control port
- RGB signal output socket
- RGB (PC)/ component video (YPbPr/ YCbCr) signal input socket
- DVI-I signal input socket
- Video socket
- S-Video socket
- Audio input socket
- Audio output socket
- Filter case
- AC power cord inlet
- Speaker



External Control Panel (Detail)

- Power
- Blank
- Mode: Application mode hot key
- Source
- Auto
- Lamp indicator light
- Temperature warning light
- Power indicator light
- Left (Vertical keystone-)
- Right (Vertical keystone+)
- Menu (Up)
- Exit (Down)

